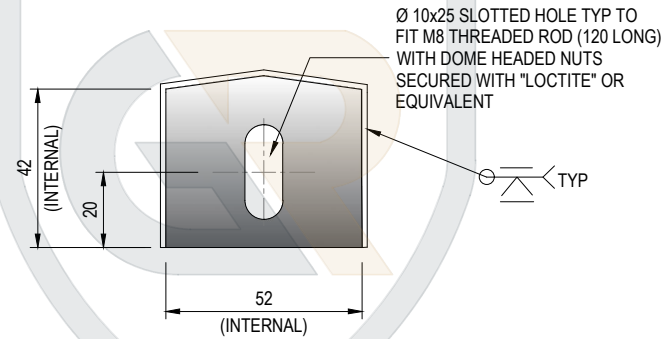
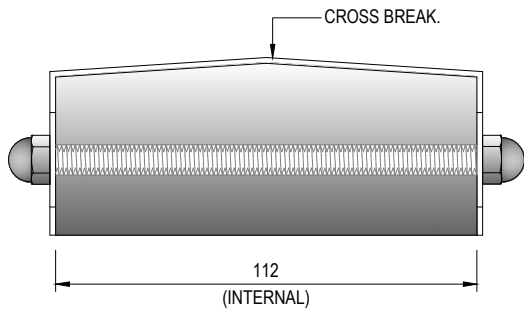
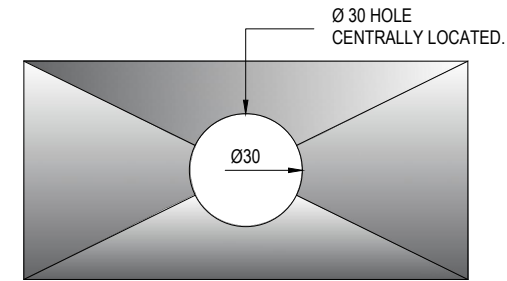


DETAIL OF INTERMEDIATE GABLE POST CAP

NOTE: FABRICATED FROM NOM. 1.6 SHEET.



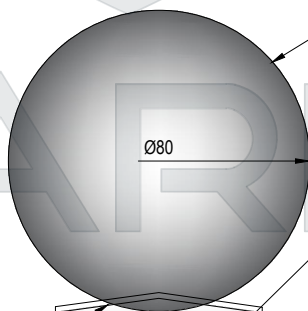
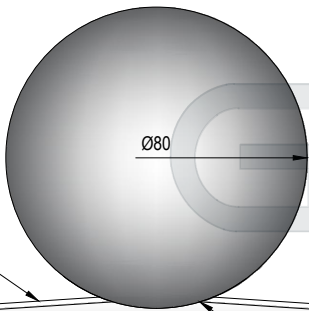
3D OF INTERMEDIATE CROSS BREAK POST CAP



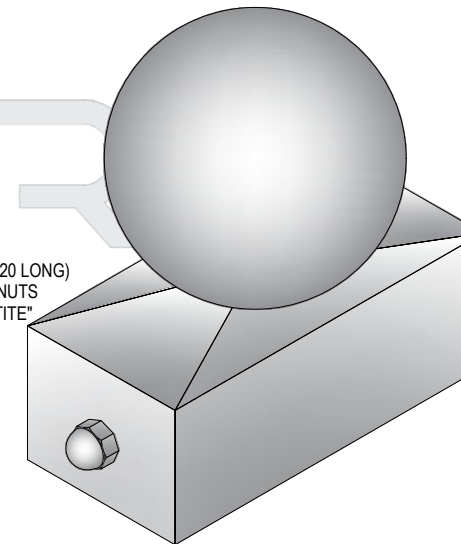
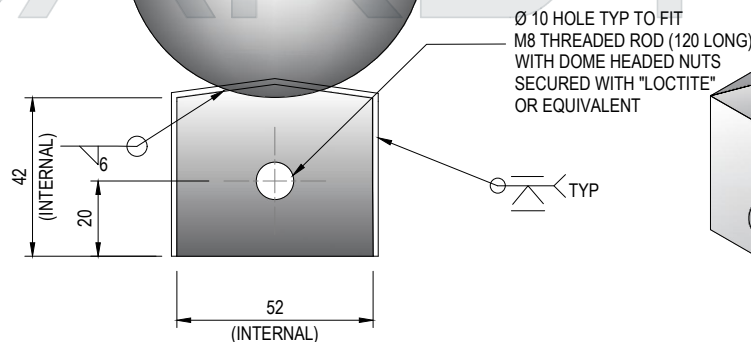
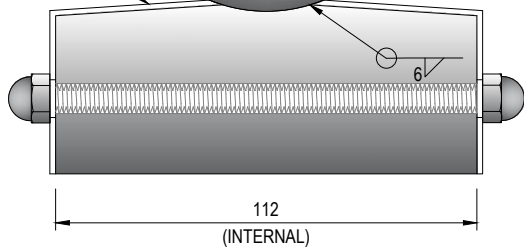
DETAIL A

DETAIL OF INTERMEDIATE CROSS BREAK POST CAP

NOTE: FABRICATED FROM NOM. 1.6 SHEET.



METAL BALL TO DIMENSIONS SHOWN.



3D OF INTERMEDIATE CROSS BREAK POST CAP

DETAIL OF INTERMEDIATE SPHERICAL POST CAP

NOTE: FABRICATED FROM NOM. 1.6 SHEET.



GUARD-R

92 OLD BATHURST RD. EMU HEIGHTS NSW 2750, AUSTRALIA

PROJECT TITLE / PRODUCT TITLE

INTERMEDIATE POST CAP

PROJECT OWNER / PRODUCT OWNER

GUARD-R

PRODUCT SPECIFICATIONS

FOOTING SPECIFICATIONS

ASSEMBLY COMPONENTS

NO.	DESCRIPTION	QTY
01	*****	*****
02	*****	*****
03	*****	*****
04	*****	*****
05	*****	*****
06	*****	*****
07	*****	*****
08	*****	*****
09	*****	*****
10	*****	*****

REVISIONS	
NO.	DESCRIPTION

FINISH DETAIL		WEIGHT	
MATERIAL GRADE	-----	-----	-----
FIRST COATING TYPE	-----	COLOUR	-----
SECOND COATING TYPE	-----	COLOUR	-----
DRAWING TITLE	RMSPP0-CAP	SHEET NO.	A 1.0
DATE	MAR 2023	SCALE	AS SHOWN
DRAWN BY	SUMMIT CAD	PAPER SIZE	A4
DESIGNED	SUMMIT CAD	PROJECT NO.	---
APPROVED	STEVE G.	REF NO.	---
TOTAL SHEETS			1