

**SINGLE HEIGHT BASE PLATED
TOP MOUNT ASSEMBLY -
CLASS 1**

GUARD-R

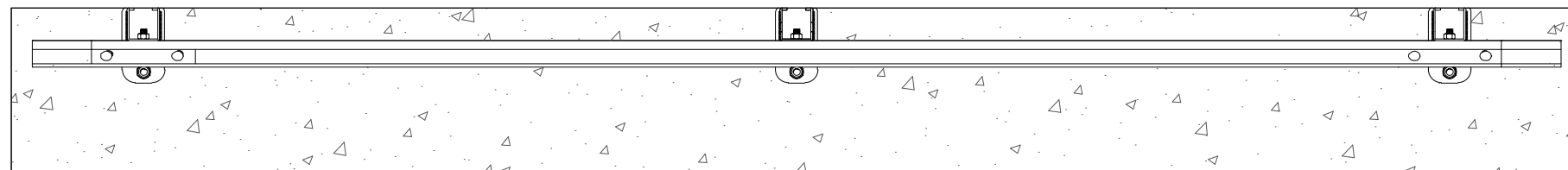
ITEM NO.	ASSEMBLY COMPONENTS	DRAWING NO.	QTY
1	SINGLE HEIGHT PLATED TOP MOUNT	SF009.0009	3
2	RAIL 4000	SF009.0010	1
3	MUSHROOM HEAD POST BOLT M16*50	SF009.0013	3
4	MUSHROOM HEAD SPLICE BOLT M16*32	SF009.0014	16
5	OVERSIZE NUT M16	SF009.0015	22

REVISIONS

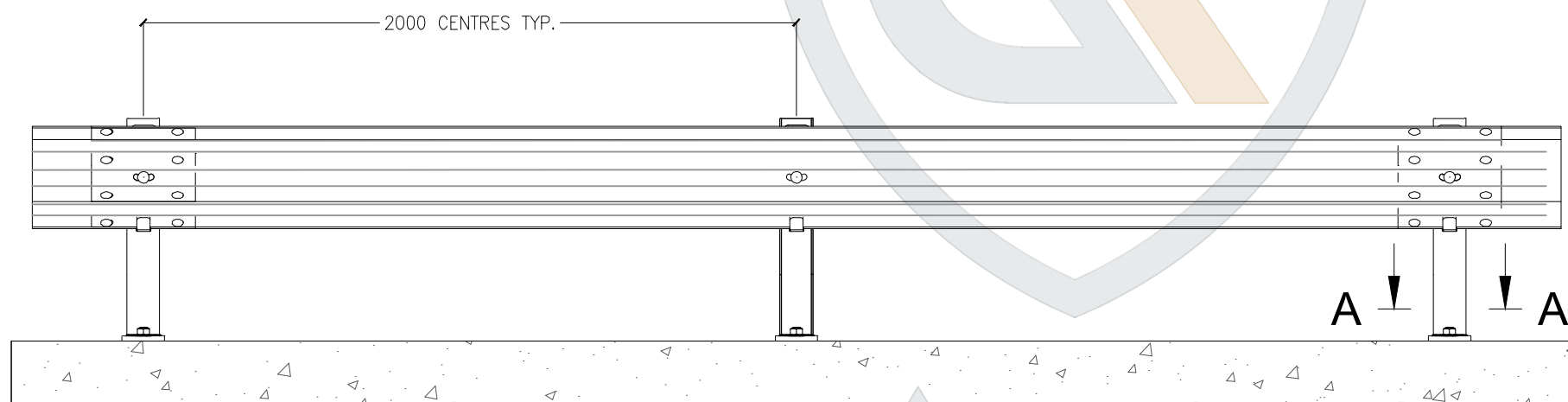
NO.	DESCRIPTION

FINISH DETAIL	HOT DIPPED GALVANISED		
MATERIAL GRADE	AS/NZS1074-C350	WEIGHT	
FIRST COATING TYPE	HOT DIPPED GALVANISED	COLOUR	SILVER
SECOND COATING TYPE	N/A	COLOUR	N/A

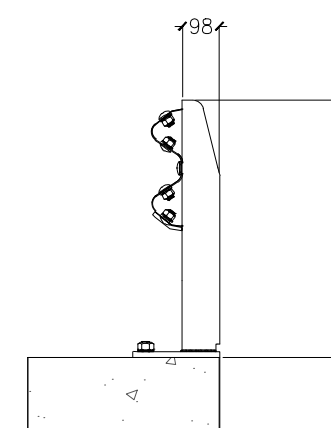
DRAWING TITLE	SF009.4	SHEET NO.	A 1.0
LINKING INVENTORY CODE			
LINKING PRODUCTION CODE			
DATE	JUN 2023	SCALE	AS SHOWN
DRAWN BY	SUMMIT CAD	PAPER SIZE	A4
DESIGNED	SUMMIT CAD	PROJECT NO.	
APPROVED	STEVE O.	REF NO.	
TOTAL SHEETS			3



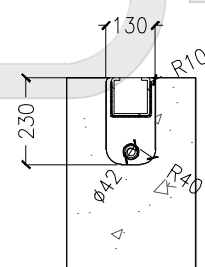
1 PLAN VIEW
A-1.0 SCALE: 1:20



2 ELEVATION VIEW
A-1.0 SCALE: 1:20



3 SIDE VIEW
A-1.0 SCALE: 1:20



2 SECTION A-A
A-1.0 SCALE: 1:20

DETAILS OF DESIGN

GRADIENT	TOP	FRAME / RAIL	TYPE	HINGE	LATCH	DROP BOLT	PICKET	INFILL	OPENING / CLOSING
LEVEL	FLAT	N/A	GUARDRAIL	N/A	NA	N/A	N/A	N/A	N/A
OPENING WIDTH RANGE (MM)	HEIGHT RANGE (MM)	OPENING TO LEFT OR RIGHT	FILE TYPE	-	-	-	-	-	NOTES
-	-	-	ASSEMBLY	-	-	-	-	-	-

**SINGLE HEIGHT BASE PLATED
TOP MOUNT ASSEMBLY -
CLASS 1**

GUARD-R

ITEM NO.	ASSEMBLY COMPONENTS	DRAWING NO.	QTY
1	SINGLE HEIGHT PLATED TOP MOUNT	SF009.0009	3
2	RAIL 4000	SF009.0010	1
3	MUSHROOM HEAD POST BOLT M16*50	SF009.0013	3
4	MUSHROOM HEAD SPLICE BOLT M16*32	SF009.0014	16
5	OVERSIZE NUT M16	SF009.0015	22

REVISIONS

NO.	DESCRIPTION

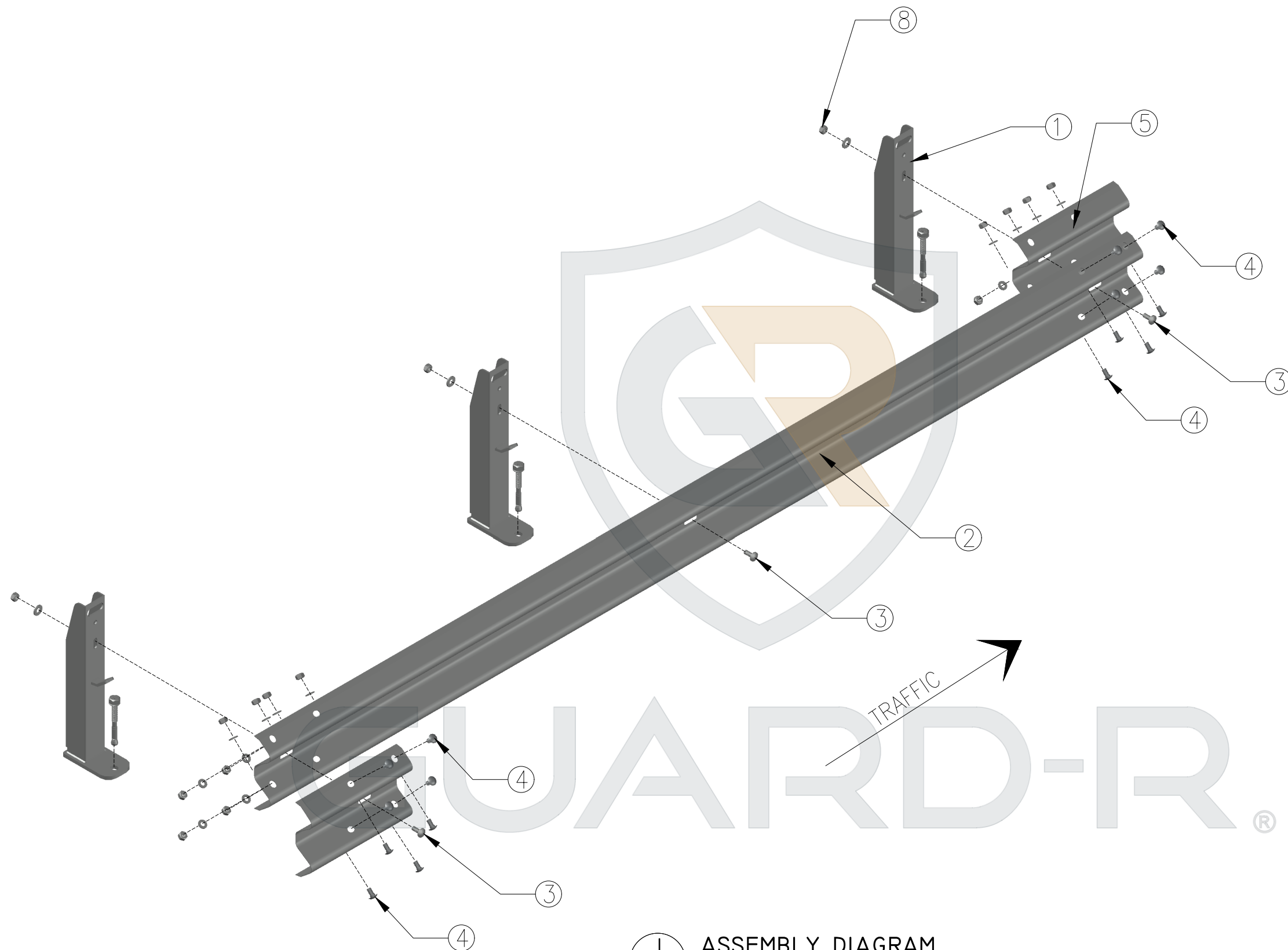
FINISH DETAIL	HOT DIPPED GALVANISED		
MATERIAL GRADE	AS/NZS1074-C350	WEIGHT	
FIRST COATING TYPE	HOT DIPPED GALVANISED	COLOUR	SILVER
SECOND COATING TYPE	N/A	COLOUR	N/A

DRAWING TITLE	SF009.0004	SHEET NO.	A 2.0
---------------	-------------------	-----------	--------------

LINKING INVENTORY CODE		LINKING PRODUCTION CODE		DATE	JUN 2023	SCALE	AS SHOWN	DESIGNED BY	SUMMIT CAD	PAPER SIZE	A4	TOTAL SHEETS	3
APPROVED	STEVE O.	REF NO.											

DETAILS OF DESIGN

GRADIENT	TOP	FRAME / RAIL	TYPE	HINGE	LATCH	DROP BOLT	PICKET	INFILL	OPENING / CLOSING
LEVEL	FLAT	N/A	GUARDRAIL	N/A	NA	N/A	N/A	N/A	N/A
OPENING WIDTH RANGE (MM)	HEIGHT RANGE (MM)	OPENING TO LEFT OR RIGHT	FILE TYPE	-	-	-	-	-	NOTES
-	-	-	ASSEMBLY	-	-	-	-	-	-



I ASSEMBLY DIAGRAM
A-2.0 SCALE: NTS



92 OLD BATHURST RD, EMU HEIGHTS NSW 2750, AUSTRALIA

PROJECT TITLE / PRODUCT TITLE

**SINGLE HEIGHT BASE PLATED
TOP MOUNT ASSEMBLY -
CLASS 1**

PROJECT OWNER / PRODUCT OWNER

GUARD-R

PRODUCT SPECIFICATIONS

FOOTING SPECIFICATIONS

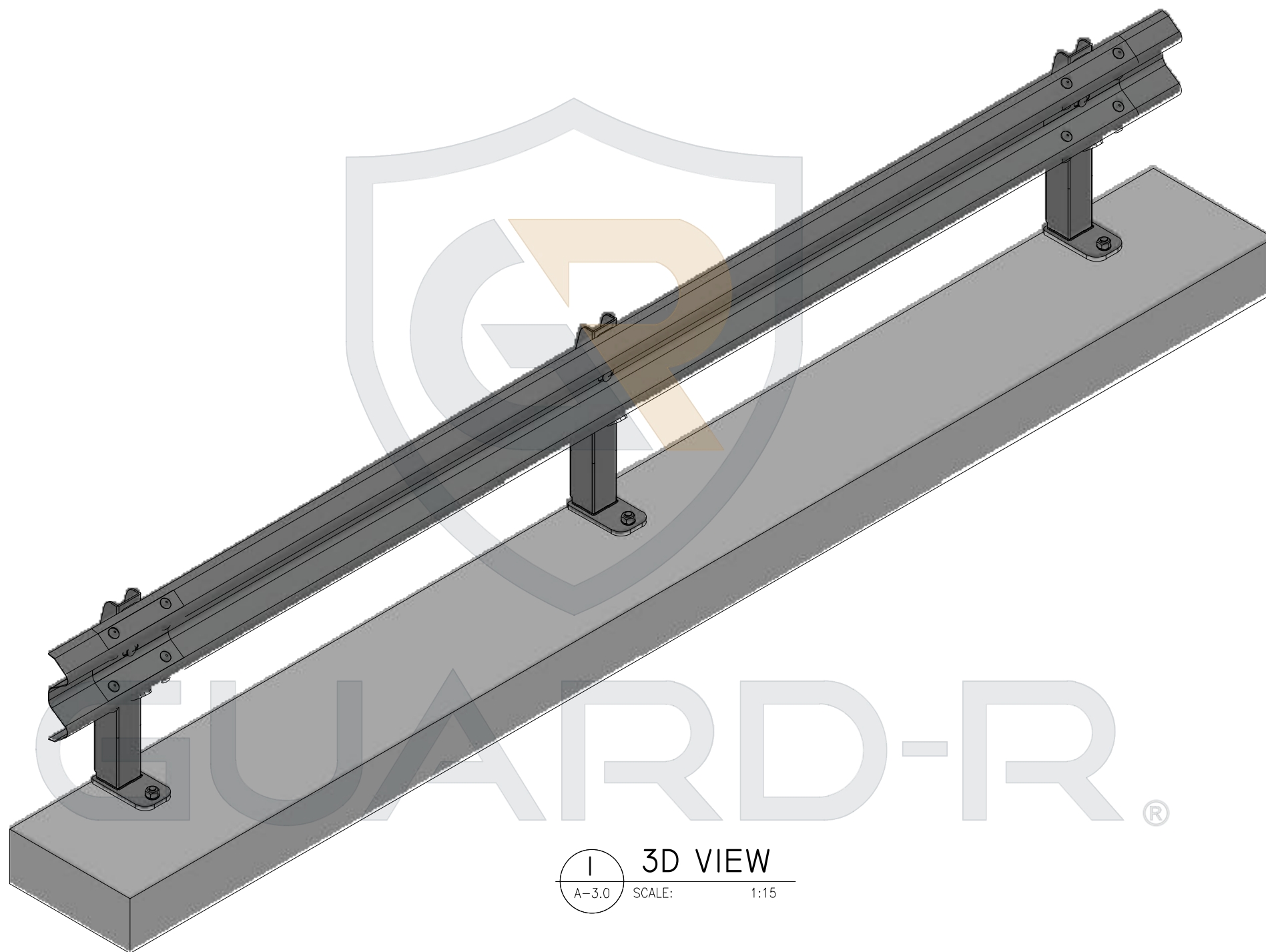
ITEM NO.	ASSEMBLY COMPONENTS	DRAWING NO.	QTY
1	SINGLE HEIGHT PLATED TOP MOUNT	SF009.0009	3
2	RAIL 4000	SF009.0010	1
3	MUSHROOM HEAD POST BOLT M16*50	SF009.0013	3
4	MUSHROOM HEAD SPLICE BOLT M16*32	SF009.0014	16
5	OVERSIZE NUT M16	SF009.0015	22

REVISIONS

NO.	DESCRIPTION

FINISH DETAIL	HOT DIPPED GALVANISED		
MATERIAL GRADE	AS/NZS1074-C350	WEIGHT	
FIRST COATING TYPE	HOT DIPPED GALVANISED	COLOUR	SILVER
SECOND COATING TYPE	N/A	COLOUR	N/A

DRAWING TITLE	SF009.4	SHEET NO.	A 3.0
LINKING INVENTORY CODE			
LINKING PRODUCTION CODE			
DATE	JUN 2023	SCALE	AS SHOWN
DRAWN BY	SUMMIT CAD	PAPER SIZE	A4
DESIGNED	SUMMIT CAD	PROJECT NO.	
APPROVED	STEVE O.	REF NO.	
TOTAL SHEETS			3



1 3D VIEW
A-3.0 SCALE: 1:15

DETAILS OF DESIGN

GRADIENT	TOP	FRAME / RAIL	TYPE	HINGE	LATCH	DROP BOLT	PICKET	INFILL	OPENING / CLOSING
LEVEL	FLAT	N/A	GUARDRAIL	N/A	NA	N/A	N/A	N/A	N/A
OPENING WIDTH RANGE (MM)	HEIGHT RANGE (MM)	OPENING TO LEFT OR RIGHT	FILE TYPE						NOTES
-	-	-	ASSEMBLY	-	-	-	-	-	-